

Yale window and door hardware

耶鲁门窗五金



Part Of ASSA ABLOY



A century-old brand protects your home

百年品牌 守护您家

莱纳斯·耶鲁创新的精神今天依然存活在耶鲁品牌。今天，耶鲁产品线覆盖电子门锁，机械门锁，挂锁，电子保管箱，门窗五金和防火门等。公司的每一个人皆以最大的努力保持耶鲁市场第一的位置。耶鲁的目标是以我们的传承为基础，以不断钻研的新知识研发最优质的产品，以保护客人的安全，家居和最珍贵的东西。

The innovative spirit of Linus Yale lives on in the Yale brand today. Today, the Yale product line covers electronic door locks, mechanical door locks, padlocks, electronic safe deposit boxes, door and window hardware, and fire doors. Everyone in the company does their best to maintain Yale's No. 1 market position. Yale's goal is to build on our heritage and develop the highest quality products with new knowledge that is continually honed to protect the safety of our guests, their homes, and their most precious things.

<p>1840 <small>Year</small></p> <p>品牌起源于1840年 The brand originated in 1840</p>	<p>2000 <small>Year</small></p> <p>2000年被亚萨合莱收购 Acquired by ASSA ABLOY in 2000</p>	<p>51000 <small>People</small></p> <p>员工达到51000人 51,000 employees</p>
---	---	--



耶鲁资质认证
Certification

EN
检测证书

EPD
EPD认证

CE
欧盟CE认证

CCC
CCC认证

SGS
抗菌认证

Yale Trusted every day

1840 老莱纳斯·耶鲁开始设计组合密码锁
Linus Yale Sr. started working on his designs for the combination locks.

1843 老莱纳斯·耶鲁设计研发了第一把组合密码锁并申请了专利 (US3312)
First Lock Patent from Linus Yale Sr. (Combination Lock, US3312).

1844 著名的圆柱弹子锁首次被应用在门锁上并获得专利 (US3630)
Patent from Linus Yale Sr. for a door lock (US3630) with circular pin tumblers.

1847 老莱纳斯·耶鲁在美国纽波特建立了一家小型锁具厂
Linus Yale Sr. built a small lock factory in Newport, USA.

1850 老莱纳斯·耶鲁的儿子加入了他父亲的锁具公司
Linus Yale Sr.'s son joined his father in the business.

1851 耶鲁凭借卓越的技术升级了银行锁，并申请了专利
Yale patented a safety lock for use in banks.

1857 小莱纳斯·耶鲁改良了圆柱弹子锁，设计出了至今依然在使用的圆筒锁并申请了专利
Yale patented his design for the famous pin tumbler cylinder padlock - still used around the world today.

1857-65 在1857至1865年这段时间里，耶鲁品牌被授予了许多专利，特别是1865年6月27日，耶鲁为世人带来了他最重要的发明—耶鲁圆筒锁 (US48475) 一款搭配钥匙的带有五个倒扣的圆柱形锁，凭借着多项革新式的发明，小莱纳斯·耶鲁从此引导锁具行业走向了一个崭新的时代
Granted patents between 1857 and 1865, Yale finally succeeded in creating his most important invention - the Yale cylinder lock. (June 27, 1865, US patent 48475 - round cylinder with five pin tumblers in a line and flat key) Linus Yale Jr. transformed the locking industry forever with his many breakthrough inventions.

1868 依靠耶鲁不断创新的专利和莱纳斯·耶鲁的天分，他和合伙人亨利·唐尼在康州的斯坦福建立了Yale and Towne制造公司，最初的员工仅35人。
Relying on Yale patents, Yale's sterling name, and his native ingenuity, Linus Yale Junior and his colleague, Henry Towne, established the Yale & Towne Company in Stamford, Connecticut, at the time employing 35 people.

1879 耶鲁推出了挂锁系列
A line of padlocks was introduced.

1894 唐尼开始在挂锁上铸印“耶鲁”字样
Towne began stamping the name Yale on the padlocks.

1929 Yale and Towne公司收购了当时英国最大的锁具制造商 H. and T. Vaughan 有限公司
Yale purchased the UK largest lock maker H. & T. Vaughan Ltd.

20TH C 二十世纪初，公司进行全球化扩张，拥有员工12,000多人。
By the early 20th century, they employed more than 12,000 staff and had expanded into the wider world.

1963 伊顿并购了Yale and Towne制造公司
Eaton acquired Yale & Towne Manufacturing Co.

1991 威廉斯控股公司收购了耶鲁品牌
Williams Holdings acquires Yale.

2000 耶鲁被世界领先的安防企业亚萨莱集团收购
In August 2000 Yale was purchased by the ASSA ABLOY Group - the world's leading lock group.

2005 耶鲁成为了一个全球性品牌
Yale became a global brand.

2010 在英国上市了第一款智能门锁-Keyfree
Launch of the first Smart Door Lock Keyfree, for the UK market.

2011 在斯堪的纳维亚上市的Doorman预示着耶鲁智能门锁产品成功的开端
Launch of Doorman in Scandinavia which is the start of a success story for our Smart Door Lock products.

2012 在中国市场推出耶鲁高端门窗五金系统、消防排烟系统
Launched Yale brand high-end window and door hardware System and fire exhaust system in China.

2016 耶鲁智能家居产品线在欧洲、中东及非洲地区的许多国家上市。耶鲁智能家居是链接各个不同产品的核心理念。其产品包括连接器、智能安防设备、报警器、智能门锁和猫眼。几乎在世界任何地方，您都可以十分便利的通过APP来保护您的家和您所爱的人。
Yale Smart Living range is launched in various countries. Yale Smart Living / Real Living is an ingredient brand gathering our range of connected products. It is a range of connected, smart security devices such as alarms and digital door locks and viewers that allow you to protect your home and loved ones from almost anywhere in the world through intuitive user-friendly apps.

2018 推出住宅闭路电视耶鲁智能家居生态系统的产品之一
Launch of CCTV, part of the Yale Smart Living ecosystem.

2020 耶鲁启用全新品牌标识、视觉系统和品牌价值
A brand new day for Yale as it launches its new brand identity, vision, values & purpose.



The Yale story

品牌故事

耶鲁 —— 延续180年的值得信赖的创新

耶鲁今天的一切，都源自于老莱纳斯·耶鲁和小莱纳斯·耶鲁的创造和巧思。1840年，老莱纳斯·耶鲁开设了一家专门手工制作昂贵的银行锁的锁具店，耶鲁的传奇从此开启。受到4000年前古埃及木制锁的启发，他制造了由他开发的圆筒弹子锁的第一套模具。

1847年，老莱纳斯·耶鲁在美国纽波特建立了一个锁具工厂。子承父业，小莱纳斯·耶鲁也投身锁具制造。他在技术上非常有天赋，并有许多开创性的发明，他改良了父亲的圆筒弹子锁设计使其适合19世纪60年代早期的大规模生产，并永远地改变了这个行业。

1868年，小莱纳斯与同事亨利·汤在康涅狄格州的斯坦福成立了Yale & Towne公司。到20世纪初，他们的公司已经拥有12000多名员工，并在全球扩张。

时至今日，老莱纳斯·耶鲁创造的圆筒弹子锁依然是世界使用最为广泛的锁具设计。

耶鲁于2000年成为了亚萨合莱集团一员，并且成为集团重要住宅的品牌。

除了世界上使用最广泛的门锁，耶鲁还生产了许多其他创新的产品，如电子门锁、柜锁、报警器、保险箱、门、门禁系统和门窗五金。

耶鲁品牌的设计和性能深受125个国家的消费者喜爱。在世界各地，人们深信耶鲁会让家变得安全，让自己感到安心。

At Yale, we have a 180 year history of trusted innovation.

Everything we are today, we owe to the inspirational ingenuity of Linus Yale Senior and Linus Yale Junior. The Yale lock tradition started around 1840 when Linus Yale Senior opened up a lock shop specialising in expensive handmade bank locks. Inspired by a 4,000 year old Egyptian wooden lock, he built the first models of the pin-tumbler lock he had developed.

To manufacture them, he built a small lock factory in Newport, USA in 1847. His son, Linus Yale Junior, took up his father's trade. Technically very talented and with a number of ground-breaking inventions, he made his father's pin-tumbler lock design suitable for mass production in the early 1860s and changed the industry forever. Linus Yale Junior and his colleague, Henry Towne, established the Yale & Towne Company in Stamford, Connecticut in 1868. By the early 20th Century, they employed more than 12,000 people and had expanded globally.

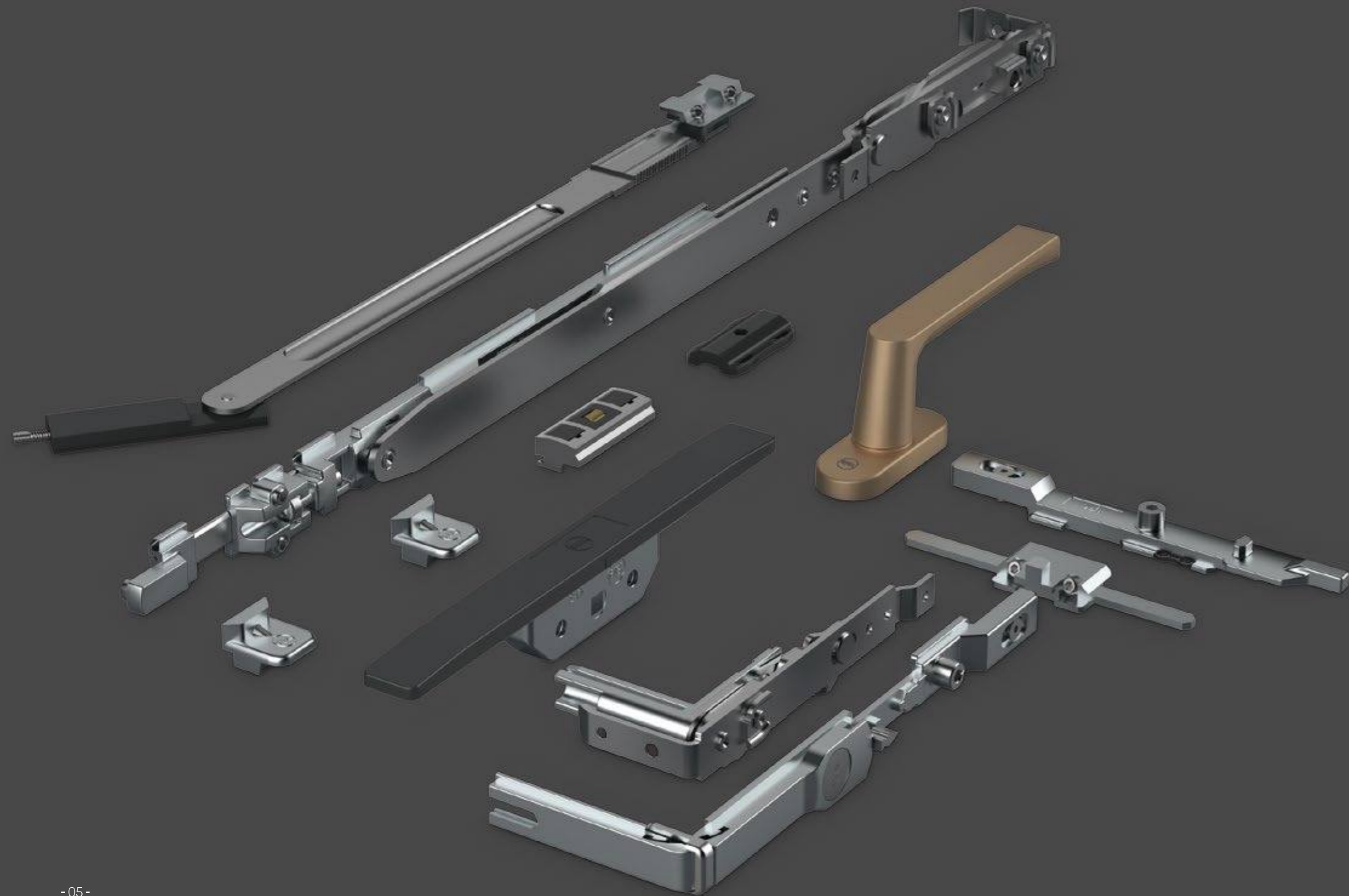
Even today, the pin-tumbler lock by Linus Yale Junior is the most widely used type of door lock in the world.

Part of ASSA ABLOY Group since 2000, Yale is the leading residential brand of the Group.

Beside the world's most widely used type of door lock, Yale has produced numerous other innovative products such as digital door and cabinet locks, alarms, safes, doors, access systems and hardware for doors and windows.

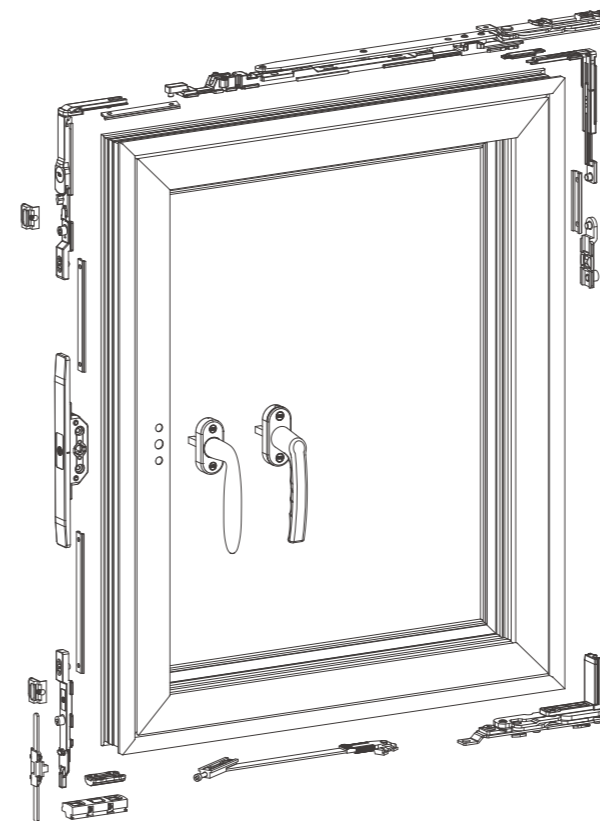
Yale is the brand behind locks of every design and function in over 125 countries.

All over the world, we're trusted to make homes secure and people feel secure, too.



Concealed tilt and turn hardware system - 180 degrees open

180隐藏内平开下悬五金系统



PATENT: 201921333115.7 / 201830582851.0

Features / 功能特点

- **180°开启, 呈现不同视野**
窗扇最大开启角度180°, 增加整窗开启时美观度的同时, 又能避免开启状态儿童磕碰头部。
- **隐藏结构, 设计优化**
胶条无需切断, 保证整窗密封; 优化运动轨迹, 保证整窗稳定性。
- **安装方便, 性能强劲**
清晰的安装定位标识, 有效提高安装效率; 高性能材质的运用, 保证整窗的安全性; 特殊表面处理, 增加寿命保障。

- **180° opening, showing different fields of view**
The maximum opening angle of the window sash is 180°, which not only increases the aesthetics of the whole window when it is opened, but also prevents children from bumping their heads in the open state.
- **Hidden structure, design optimization**
The adhesive strip does not need to be cut to ensure that the whole window is sealed; Optimize the motion trajectory to ensure the stability of the entire window.
- **Easy installation and strong performance**
Clear installation positioning marks can effectively improve installation efficiency; The use of high-performance materials ensures the safety of the entire window; Special surface treatment to increase life guarantee.

Parameter / 技术参数

适配型材 Adapter Profile	铝合金欧标型材, 槽口15×20/14×18 / 框扇平齐型材, 最小框扇间隙5mm Aluminum alloy European standard profile, notch 15×20/14×18
适配窗宽 Adaptive Window Width	550<W≤850mm
承重 Weight Capacity	90kg / 130kg
最大开启角度 Maximum Opening Angle	180°
最大宽高比 Maximum Aspect Ratio	1/1.5



180° 铰链设计

Hinge design

窗扇最大开启角度180°, 增加整窗开启时的美观度, 避免开启状态儿童磕碰头部

The maximum opening angle of the window sash is 180°, which increases the aesthetics of the whole window when it is opened, and prevents children from bumping their heads in the open state



隐藏结构
外观美观

Hidden structure
beautiful appearance



胶条无需切断
保证整窗密封

Adhesive strips
do not need to be cut



高性能材质
保证安全性

High performance
material



优化轨迹
开关平稳

Optimized
trajectory



安装调试方便
增加安装效率

Easy to install
and debug



Patented hardware quality assurance

专利五金 品质保证

百年技术研发与市场运用沉淀

Centuries of technology research and development
and market application precipitation

90° Hidden hinge

90°隐藏铰链

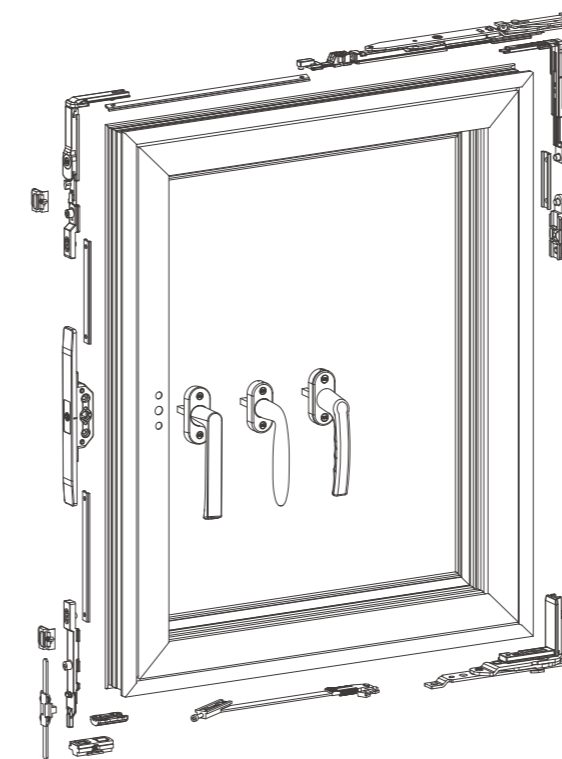
隐藏结构 设计优化

Hidden structure design optimization



Concealed tilt and turn hardware system - 90 degrees open

90隐藏内平开下悬五金系统



PATENT:201621463586.6

Features / 功能特点

- **快捷安装, 调试方便**
专用安装定位卡件, 极大提高安装效率; 铰链三维可调, 有效弥补门窗加工误差。
- **隐藏结构, 设计优化**
胶条无需切断, 保证整窗密封; 优化运动轨迹, 保证整窗稳定性。
- **开关灵活, 性能强劲**
高性能材质的运用, 保证整窗的安全性; 特殊表面处理, 增加寿命保障。

Quick installation and easy debugging

Special installation and positioning clips greatly improve installation efficiency; three-dimensional adjustable hinges can effectively compensate for door and window processing errors.

Hidden structure, design optimization

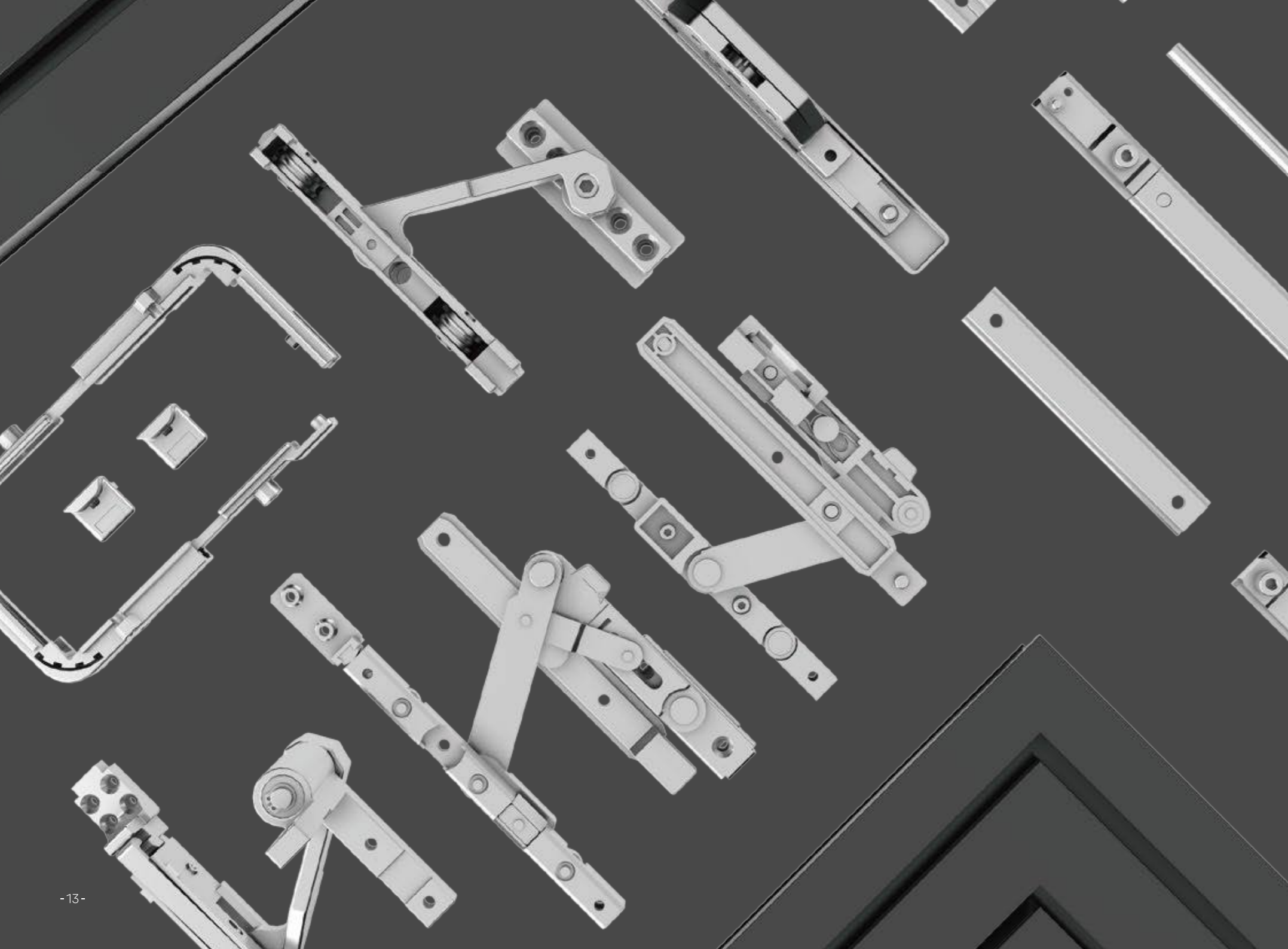
The rubber strip does not need to be cut to ensure the sealing of the entire window; the movement trajectory is optimized to ensure the stability of the entire window.

Flexible switch, strong performance

The use of high-performance materials ensures the safety of the whole window; the special surface treatment increases the life guarantee.

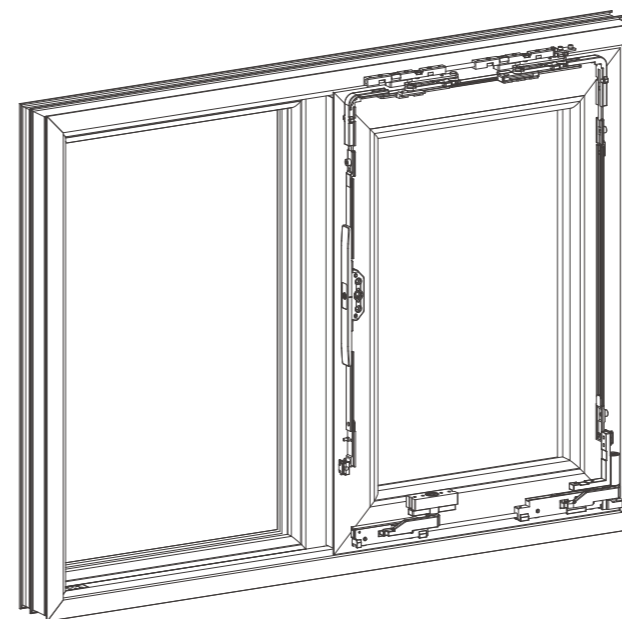
Parameter / 技术参数

适配型材 Adapter Profile	铝合金欧标型材, 槽口15×20/14×18 Aluminum alloy European standard profile, notch 15×20/14×18		
适配窗宽 Adaptive Window Width	370mm<W≤525mm (370规格) / 525mm<W≤1300mm (600规格) 370mm<W≤525mm (370 size) / 525mm<W≤1300mm (600 size)		
适配窗高 Adaptation window height	610mm<H≤2000mm	最大开启角度 Maximum opening angle	90°
承重 weight capacity	100kg / 130kg	最大宽高比 maximum aspect ratio	1/1.5



Tilt and slide hardware system

平移下悬窗五金系统



Features / 功能特点

- **保温隔热更显著:** 多点锁闭使门窗的密封性大大增强, 从而大大增强了门窗的隔音隔热性能。
- **轻松实现室内微通风:** 当执手从锁闭状态转动180°时, 门窗可内倒开启, 风经过玻璃的轻微阻挡, 不会直吹进来, 实现微通风状态。
- **推拉开启节省家居空间:** 当执手从锁闭状态转动90°时, 门窗可实现推拉开启, 避免了平开窗与窗帘、热水器、吸油烟机、橱柜等互相干扰打架的弊端。
- **安全性能大大提高:** 多点锁闭的特点, 搭配内倒开启的设计, 一具有防盗功能, 另一个能有效预防小孩失足跌落现象发生, 大大提升了门窗的安全性能。
- **使用寿命更长:** 产品通过合理的设计, 使整套五金的受力条件更好, 搭配耶鲁特有的哑光锌电镀工艺, 更有效地延长门窗以及五金配件的使用寿命。

· **Better thermal insulation:** The multi-point locking greatly enhances the sealing of doors and windows, thereby greatly enhancing the sound insulation and heat insulation performance of doors and windows.

· **Easily achieve indoor micro-ventilation:** When the handle is rotated 180° from the locked state, the doors and windows can be opened upside down, and the wind will not blow in through the slight blocking of the glass, achieving a micro-ventilation state.

· **Push and pull to open to save home space:** When the handle is rotated 90° from the locked state, the doors and windows can be pushed and opened, avoiding the drawbacks of mutual interference and fights between the casement windows and curtains, water heaters, range hoods, cabinets, etc.

· **The safety performance is greatly improved:** The feature of multi-point locking, combined with the design of inward opening, one has the anti-theft function, and the other can effectively prevent children from slipping and falling, which greatly improves the safety performance of doors and windows.

· **Longer life:** Through the reasonable design of the product, the stress condition of the whole set of hardware is better, and with Yale's unique matte zinc electroplating process, the service life of doors, windows and hardware accessories can be extended more effectively.

PATENT: 201830582851.0

Parameter / 技术参数

适配型材
Adapter Profile

专用型材
Special profile

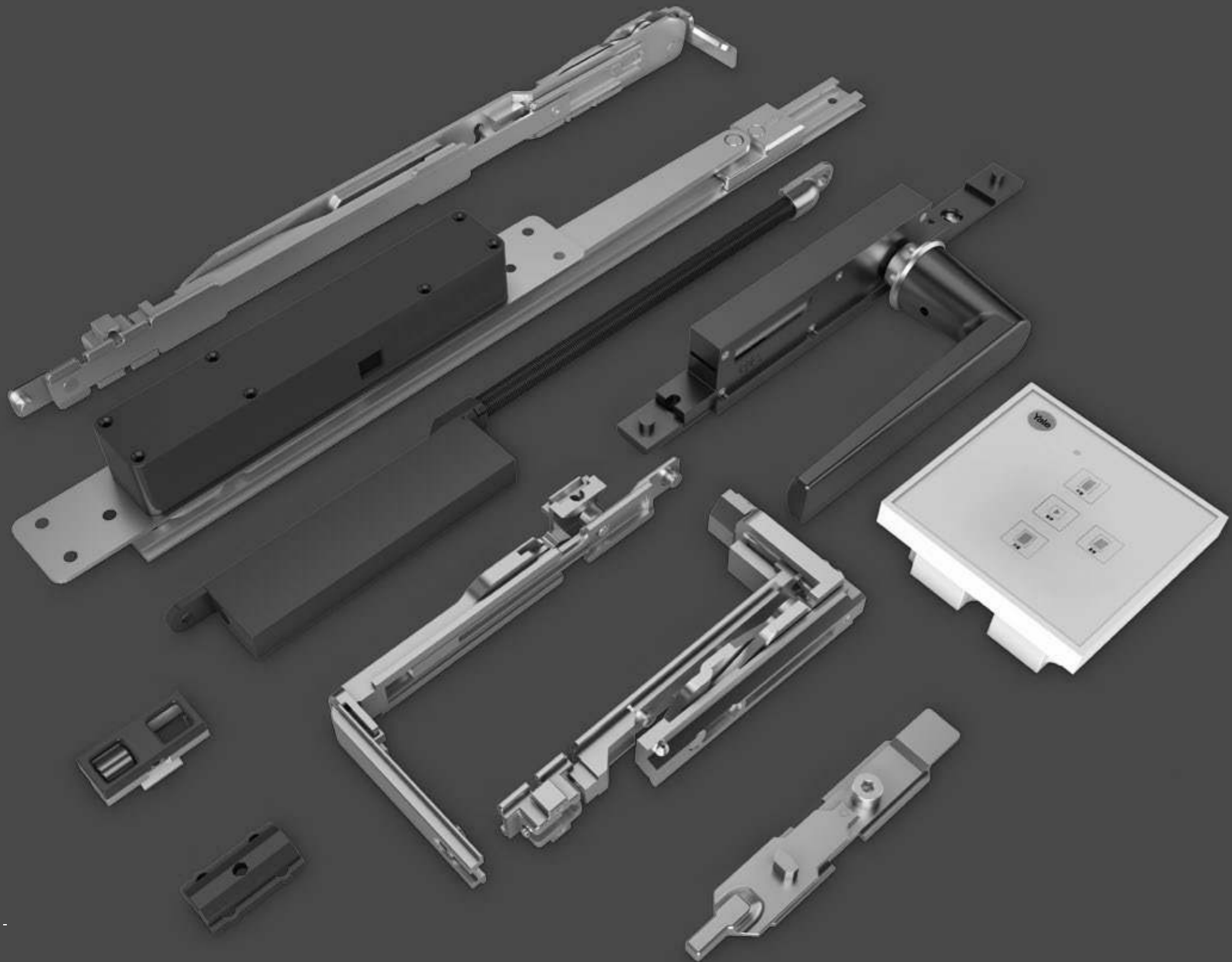
Smoother and quieter operation

平稳运行更静音

漂移窗又称内倒侧滑窗，具有推拉窗不占据任何室内外空间的优点，又具有平开窗密封好的优点，使得气密性、隔热性、隔音性都大大提高。

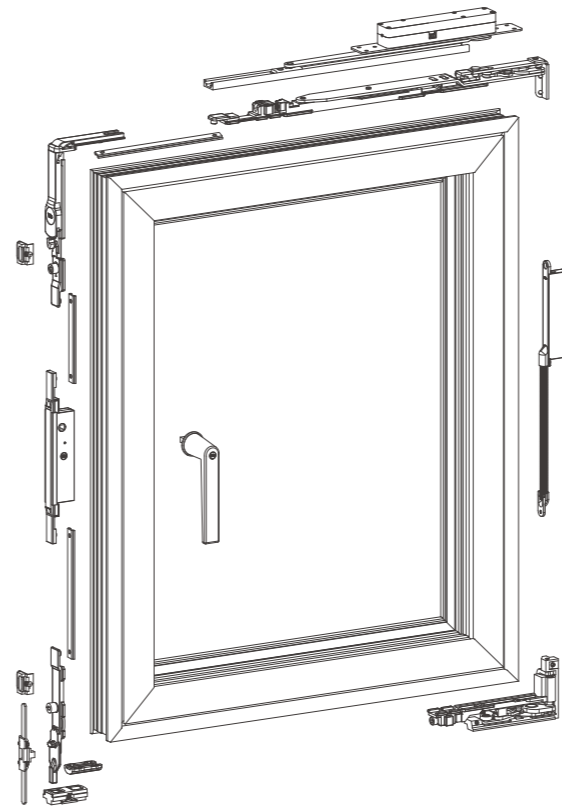
Drift windows, also known as sliding windows, have the advantage that sliding windows do not occupy any indoor and outdoor space. It also has the advantages of good sealing of casement windows, which greatly improves air tightness, heat insulation and sound insulation.





Intelligent tilt and turn hardware system

智能内平开下悬五金系统



PATENT: ZL202030686192.2 / ZL202022200528.7 / ZL202130211199.3

Features / 功能特点

- 精准美观、霍尔感应器自动回正位置、隐藏式铰链电机、与60以上型材完美适配；
- 优质品质、纯进口电机、运行稳定、无噪音、模块化设计、安装拆卸方便更贴心；
- 安全智能、遇阻儿童保护、烟雨天气感应、自动感应报警、为您和家人保驾护航；
- 规格严谨、多点锁闭、锁闭压紧程度可设(±1mm)、气密性可达8级、水密性可达5级；
- 完美防护实验超过国标2倍以上、加密信号、手自一体、断电也不用担心无法启闭；
- 多样化功能性、远程APP、语音、控制盒皆可操控、OTA在线升级、支持远程升级。

- Precise and beautiful, the Hall sensor automatically returns to the normal position, the hidden hinge motor, and it is perfectly suitable for profiles above 60;
- High quality, pure imported motor, stable operation, no noise, modular design, convenient installation and disassembly;
- Safety and intelligence, child protection in case of obstruction, smoke and rain weather sensing, automatic sensing alarm, escort for you and your family;
- Rigorous specifications, multi-point locking, locking compression degree can be set (±1mm), air tightness up to 8 grades, water tightness grade 3;
- The perfect protection experiment exceeds the national standard by more than 2 times, encrypted signals, hand-in-one, and no need to worry about being unable to open and close when the power is cut off;
- Diversified functionality, remote APP, voice, control box can be controlled, OTA online upgrade, support remote upgrade.

Parameter / 技术参数

适配型材 Adapter profile	欧标内平开窗用型材 European standard inner casement window profiles
适配窗宽 adaptive window width	SK:510-1000mm; SG:630-1500mm
开启次数 Opens	10万次
承重 weight capacity	100kg / 130kg



Smart and convenient electric smart window sash to open

智能便捷
电动智能窗扇开启

● 手自一体

断电后与常规窗相同操作方式，
无需借用任何工具

Hand in one
After the power is off, the operation is the same as that of the conventional window.
No need to borrow any tools

● 负载能力

适配窗SK: 510-1000mm; SG: 630-1500mm
适用于60及以上欧标铝合金型材

Load capacity
Adapter window SK: 510-1000mm; SG: 630-1500mm
Applicable to 60 and above European standard aluminum alloy profiles

● 美观性

美观，铰链与电机全部隐藏

Aesthetics
Beautiful, hinges and motors are all hidden

● 无息静音

采用德国默克齿轮特殊工艺，
电机采用进口电机确保超静音开窗，

Silent mute
Adopt German Merck gear special technology,
The motor adopts imported motor to ensure ultra-quiet switch window

● 密封性

多锁点锁闭，锁点压紧程度可调±1mm，
有效满足窗户密封性能要求，气密性可达8级，水密性可达5级

Tightness
Multi-lock point locking, the locking point pressing degree can be adjusted ±1mm,
Effectively meet the requirements of window sealing performance,
air tightness up to 8, water tightness up to 5

● 模块化

模块化设计，安装、拆卸方便

Modular
Modular design, easy installation and disassembly



微信控制

微信小程序控制，远程控制开关窗可设置多种模式
例：离家、居家等多种模式

WeChat control

WeChat applet control, remote control switch window can
be set to various modes
Example: Away from home, home and other modes



风雨感知

一机多用，灵敏度可设置，
风雨天气自动关窗

Wind and rain perception
One machine is multi-purpose, the sensitivity can be set,
Automatically close windows in wind and rain



安全防护

火灾自动报警，并打开窗

Security

Automatic fire alarm and open windows



高容错率

感应器及算法确保行程的精准性，
人为破坏开启方式后，自动纠正，确保正确的开启

High fault tolerance
Sensors and algorithms ensure the accuracy of travel,
After artificially destroying the opening method,
it will be automatically corrected to ensure the correct opening



语音交互

语音控制窗开启，说一声，
轻松搞定开关窗

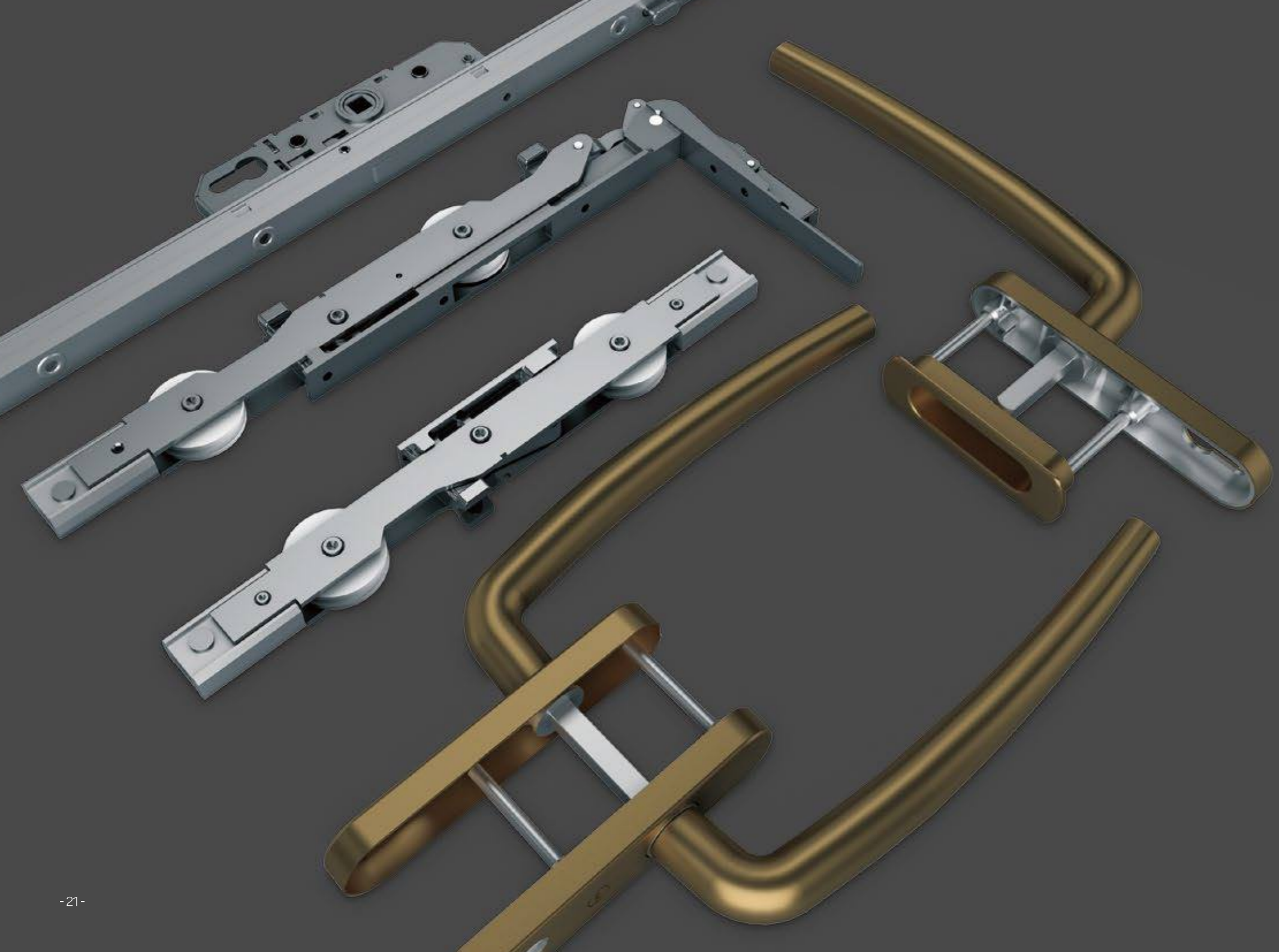
voice interaction
The voice control window opens, say,
Easily switch windows



信息加密

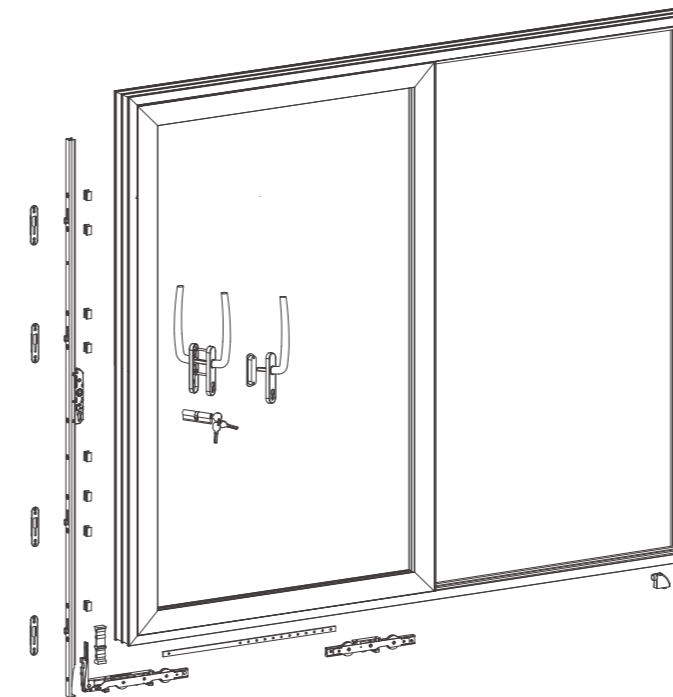
完善安全规范，加密信号，
确保用户的安全

voice interaction
Improve security specifications,
encrypt signals, Ensure user safety



Lift sliding door hardware system

提升推拉门五金系统



PATENT: 2017207785543

Features / 功能特点

- 占地面积小, 门扇开启面积最大可达3m;
- 锁块嵌入型材内, 能有效防止锁点刮碰用户的现象;
- 前滑轮+后滑轮单扇最大承重为300kg, 如需更大承重, 可通过增加中滑轮组实现;
- 传动器与滑轮组挂式连接, 方便快捷;
- 安装固定块多规格选择, 可适配多种型材;
- 金属制件采用不锈钢或表面电镀哑光锌处理, 防腐性能优良。

- Small footprint, door opening area up to 3m;
- The lock block is embedded in the profile, which can effectively prevent the lock point from scratching the user;
- The maximum load-bearing capacity of the front pulley + rear pulley single fan is 300kg. If a larger counterweight is required, it can be achieved by adding a middle pulley block;
- The drive is connected to the pulley block, which is convenient and quick;
- There are multiple specifications for installation and fixing blocks, which can be adapted to various profiles;
- The metal parts are made of stainless steel or surface electroplated with matte zinc, which has excellent anti-corrosion performance.

Parameter / 技术参数

适配型材 Adapter profile	PVC/ 铝合金/ 实木 PVC/ Aluminium alloy/ Solid wood
适配窗宽 Adaptive window width	扇宽 (SW) 760-3000 mm / 扇高 (SH) 1800-2700 mm / 外框宽度 6000 mm Fan width (SW) 760-3000 mm / Fan height (SH) 1800-2700 mm / Frame width 6000 mm
标准滑轮组 Standard pulley	max.300 kg
增加中滑轮 Add middle pulley	max.400 kg

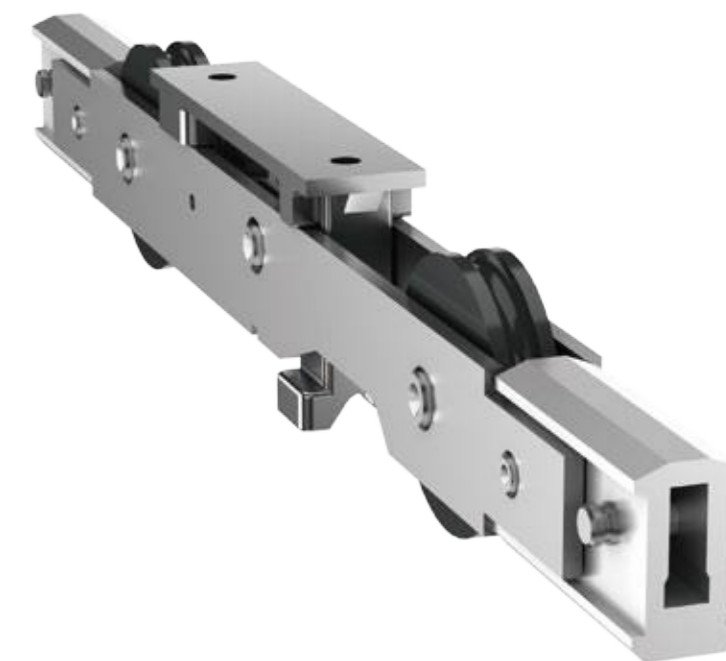


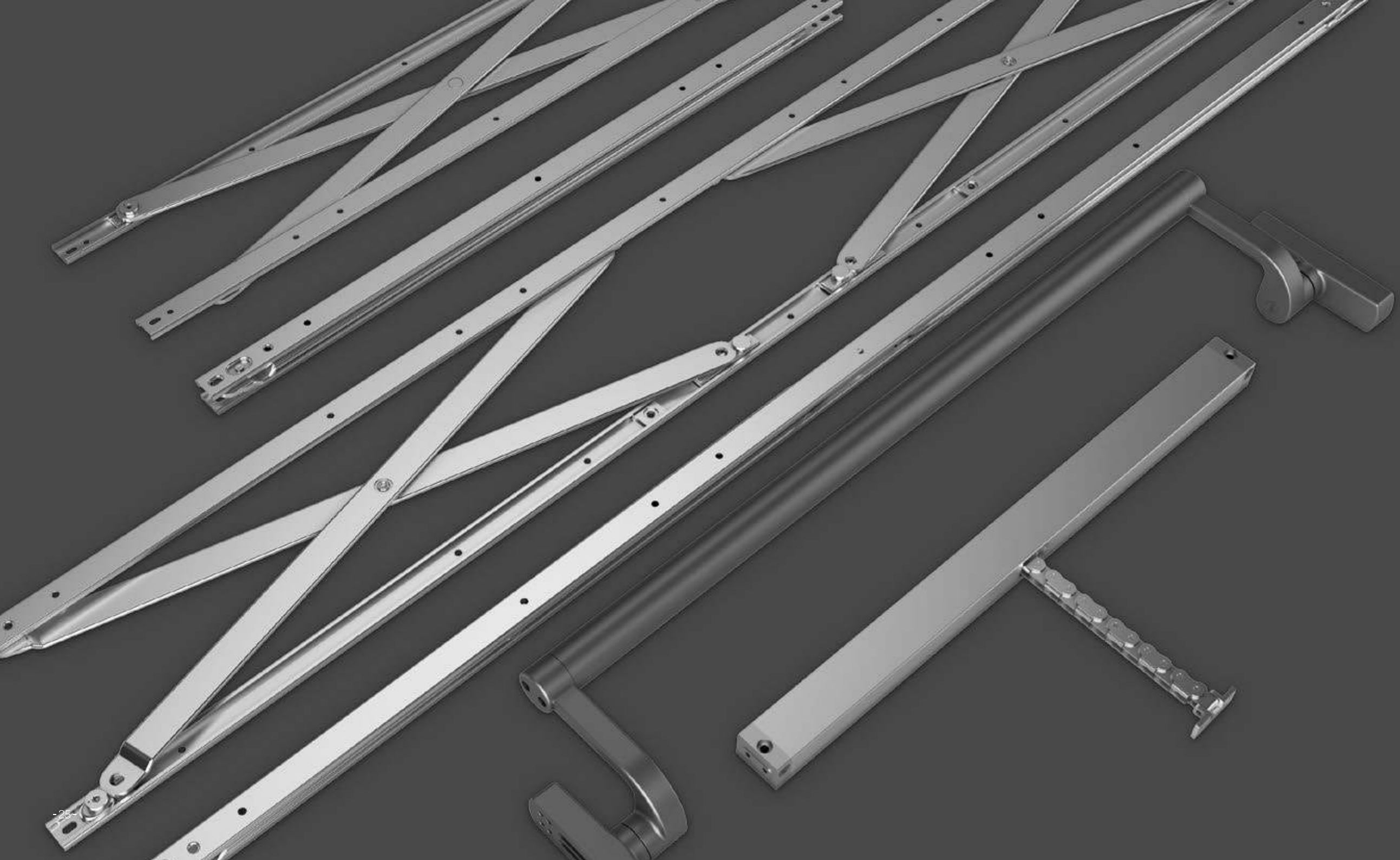
Premium pulley high quality bearings

滑轮轮体采用优质轴承

最高承重可达300KG

The pulley body adopts high-quality bearings
maximum load-bearing capacity up to 300KG

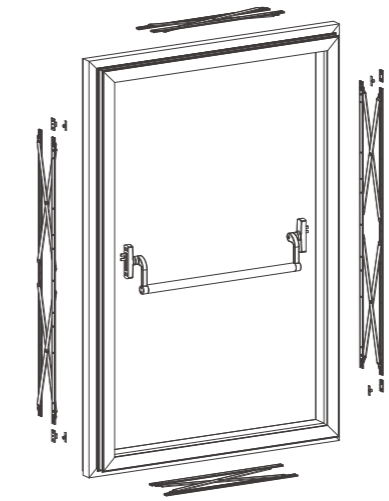




Parallel window hardware system

平推窗五金系统

PATENT: 201822135831.6



手动开启
Manually open



电动开启
Electric opening

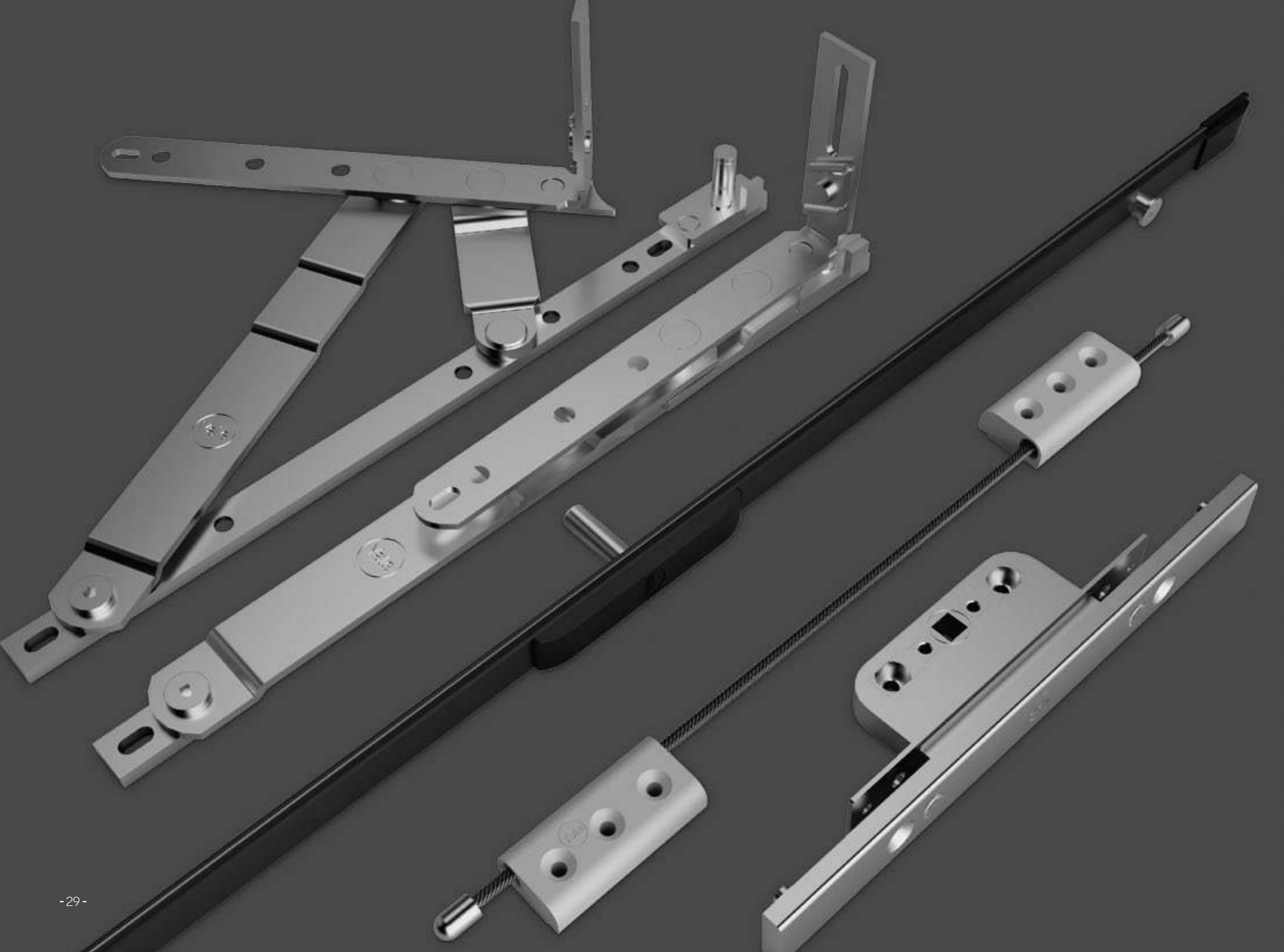
Features / 功能特点

- 连杆加宽、加厚, 最大承重可达180KG;
 - YAE22-39开启距离最大可达250mm, YAE22-50开启距离最大可达300mm, 可满足消防排烟要求;
 - 铆钉偏心可调, 补偿门窗安装加工误差。
- The connecting rod is widened and thickened, and the maximum load-bearing capacity can reach 180KG;
- The opening distance of YAE22-39 is up to 250mm, and the opening distance of YAE22-50 is up to 300mm, which can meet the requirements of fire and smoke exhaust;
- The eccentricity of the rivet is adjustable to compensate for the installation and processing errors of doors and windows.



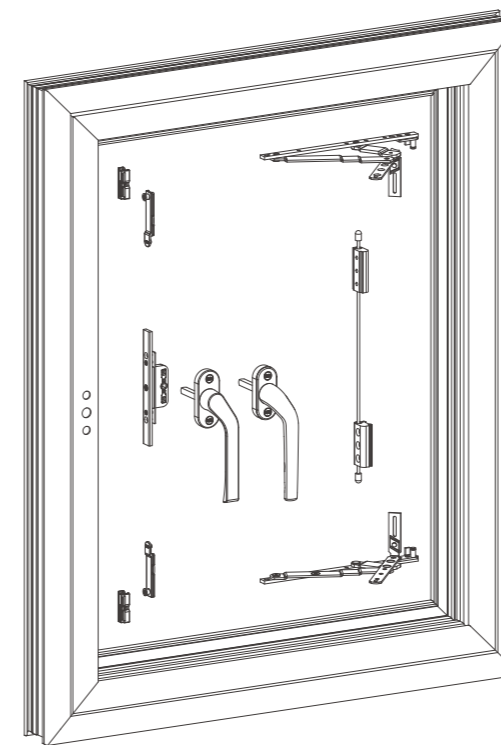
数万次开启测试
只为每一次完美体验

Tens of thousands of open tests
just for every perfect experience



Outward open window hardware system

外开窗五金系统



PATENT:CN201830582851.0

Features / 功能特点

- **传动锁盒**
不锈钢材质, 双向传动, 多种中心距可选, 防拉偏功能
 - **销钉块**
不锈钢材质、耐腐蚀性优、锁点轴套设计、传动更顺滑、防撬锁点、适配欧标C槽;
 - **外平开铰链**
高承重设计, 最大可达60KG, 免铣筋安装, 安装更加便捷, 5mm的实心底槽与5mm的承重支臂结合, 更安全;采用滚轴结构, 从而减少摩擦, 起到静音作用;无滑槽设计, 无惧尘灰。
- **Transmission lock box**
Stainless steel material, two-way transmission, a variety of center distance optional, anti-pull function;
 - **Pin block**
Stainless steel material, excellent corrosion resistance, lock point bushing design, smoother transmission, anti-pick lock point, suitable for European standard C groove;
 - **Outer hinge**
High load-bearing design, up to 60KG, no milling rib installation, installation is more convenient, 5mm solid bottom groove combined with 5mm load-bearing support arm, more secure; using roller structure to reduce friction and play a quiet role, no slip Slot design, no fear of dust.

Safety fall arrest device

安全防坠落装置
YLWAQ02L/R

粉末静电喷涂处理, 附着力好, 耐腐蚀性强
静拉力大于3000N, 强度高

Powder electrostatic spraying treatment, good adhesion,
strong corrosion resistance
Static tensile force is greater than 3000N, high strength



不锈钢绳
Stainless steel rope



安全防坠
Safety fall prevention



牢固耐用
Strong and durable



Transmission lock box

传动锁盒
HI.06.01.07

不锈钢材质, 耐腐蚀性优
双向传动, 受力更合理
多孔距设计, 普通执手和无底座执手通用
安装孔为可移动滑块, 锁盒受力小, 更耐用
13、20、25、30、35多种中心距可选

Stainless steel material, excellent corrosion resistance
Two-way transmission, more reasonable force
Multi-pitch design, common handle and handle without base
The mounting hole is a movable slider, the lock box is less stressed and more durable
13, 20, 25, 30, 35 kinds of center distance optional



不锈钢材质
Stainless steel

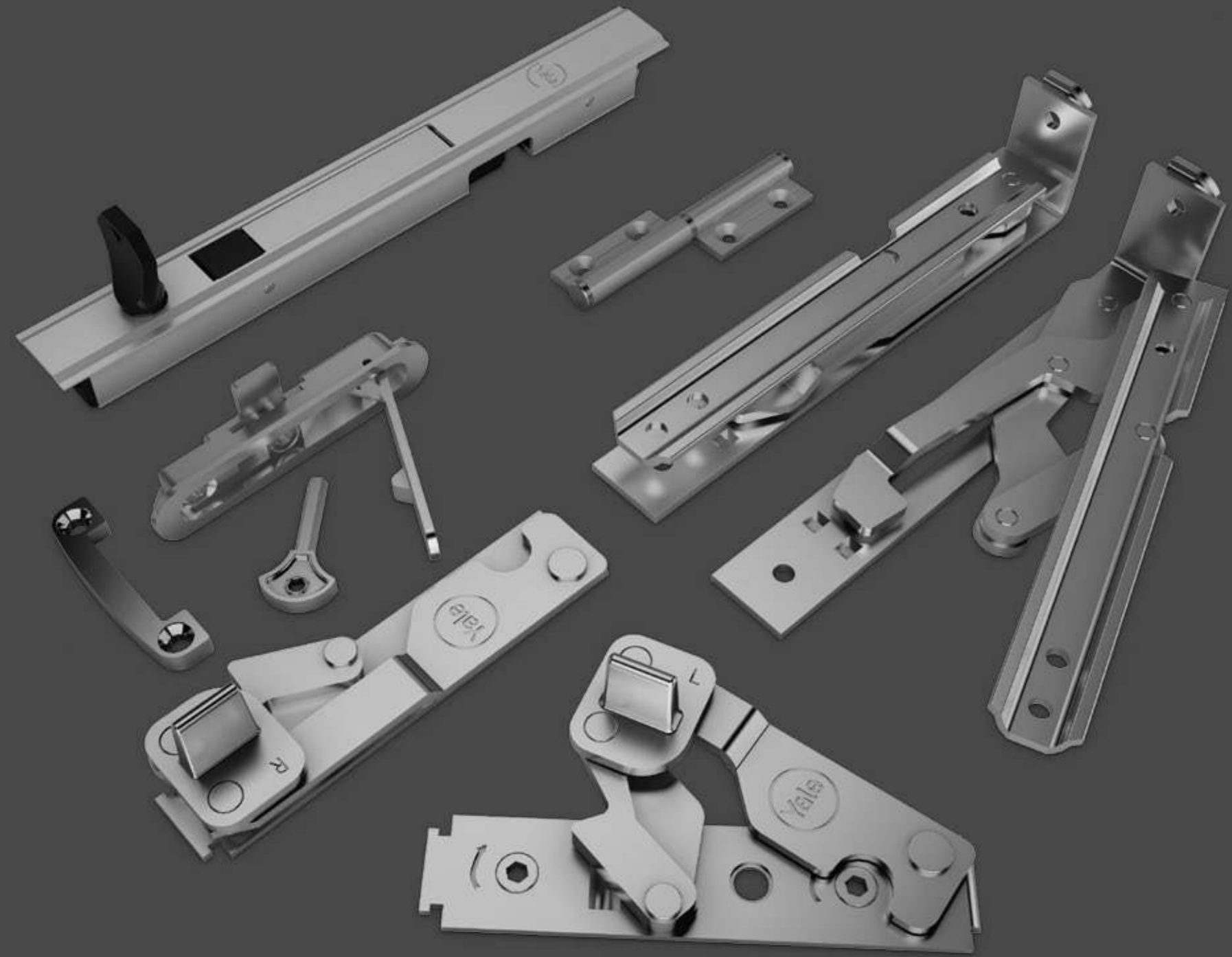


双向传动
Two-way transmission



多孔距设计
Multi-pitch design





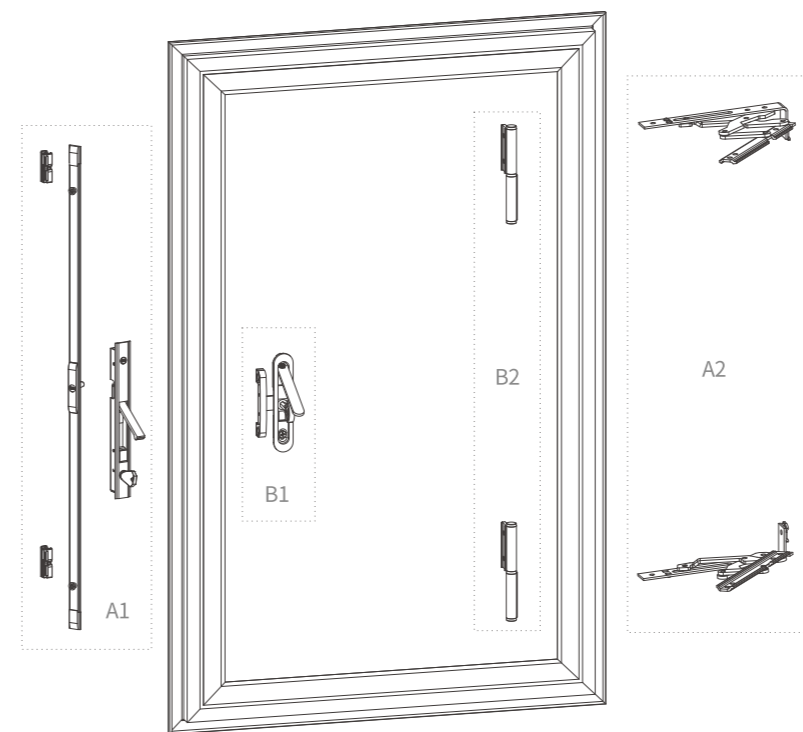
Yale

Screen window hardware system

纱窗五金系统

Features / 功能特点

- **纱窗锁**
高强度锌合金材料, 锁体强度高; 隐藏式拉手, 窗整体美观大方; 指纹标识设计, 细节满满; 六角形钥匙, 通用性更强; 背部铸造logo, 尽显精致;
- **纱窗明合页**
合页整体选用铝合金材料, 强度高; 转轴选用304不锈钢材质, 耐腐蚀; 合页表面氧化处理; 合页垫片及端盖采用不锈钢材质; 广泛适用于无槽口纱窗型材。
- **一字锁**
氧化处理, 金属质感强; 可锁, 安全防护; 弹簧滑块设计, 快速安装;
- **锁块**
C槽/K槽锁块, 适配范围广结构优化设计, 更加坚固;
- **静音传动杆**
塑料静音模块, 传动无异响; 氧化黑处理, 更具视觉冲击; 中间塑料装饰盖, 更显精致;
- **纱窗隐形铰链**
穿槽式安装, 夹片固定, 方便快捷; 最大开启180°, 实用性更佳; 304不锈钢材质, 耐腐蚀性好。



PATENT: 2021217681104

· screen lock

High-strength zinc alloy material, strong lock body; hidden handle, the window is beautiful as a whole; fingerprint logo design, full of details; hexagonal key, more versatile; cast logo on the back, full of exquisiteness.

· screen window hinge

The whole hinge is made of aluminum alloy material, which has high strength; the shaft is made of 304 stainless steel, which is corrosion-resistant; the surface of the hinge is oxidized; the hinge gasket and end cover are made of stainless steel; it is widely used in non-notch screen window profiles.

· Touch lock

Oxidized treatment, strong metal texture; lockable, safety protection; spring slider design, quick installation;

· lock block

C-slot/K-slot lock block, a wide range of adaptations, optimized structure design, more sturdy;

· silent transmission lever

Plastic mute module, no abnormal noise in transmission; oxidized black treatment, more visual impact; middle plastic decorative cover, more delicate;

· Screen window invisible hinge

Grooved installation, clip fixed, convenient and fast; maximum opening 180°, better practicability; 304 stainless steel material, good corrosion resistance.



Lock point seal

纱窗锁

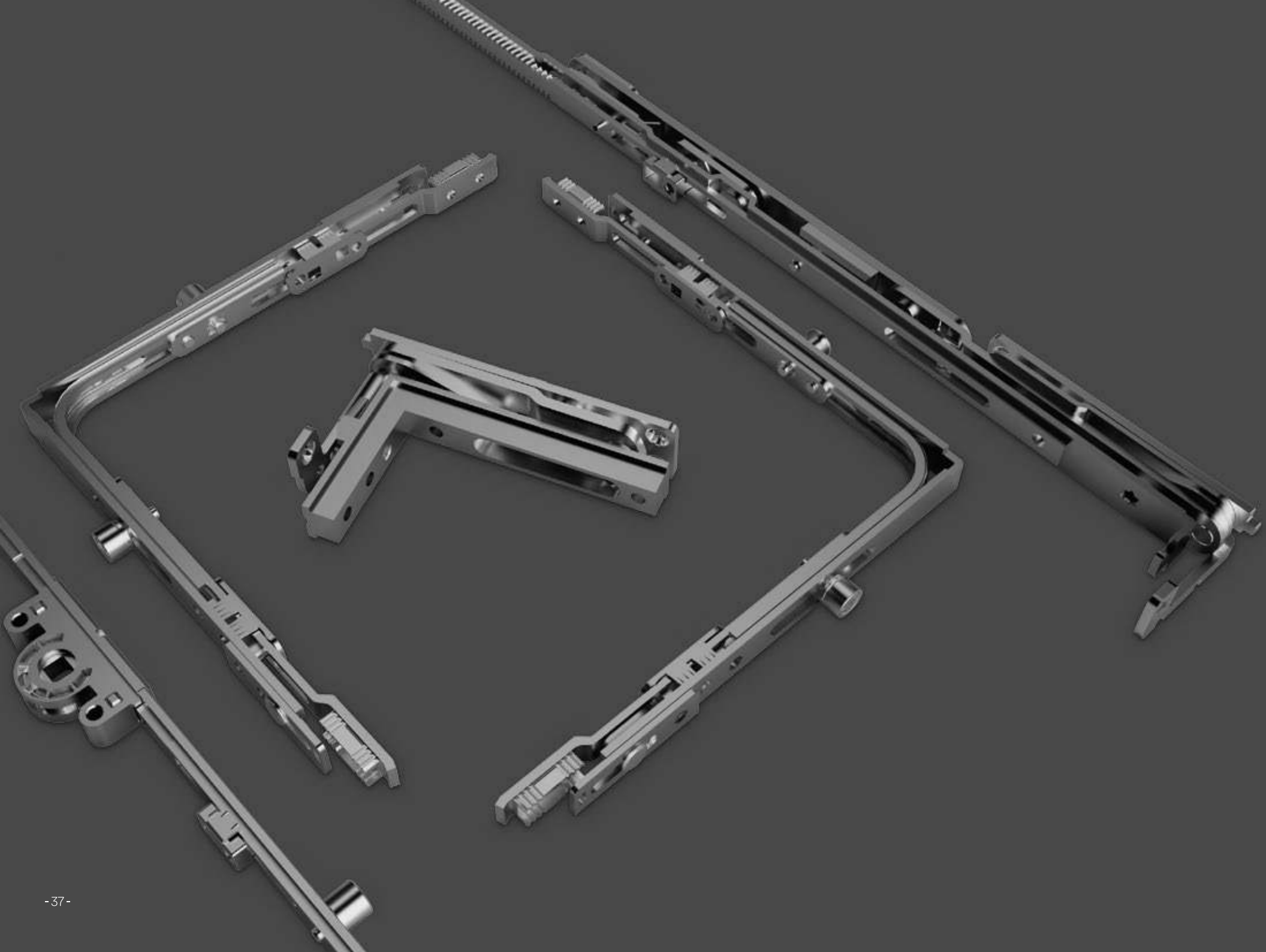
铝合金材料，外观精致

Aluminum alloy material, exquisite appearance

纱窗明合页

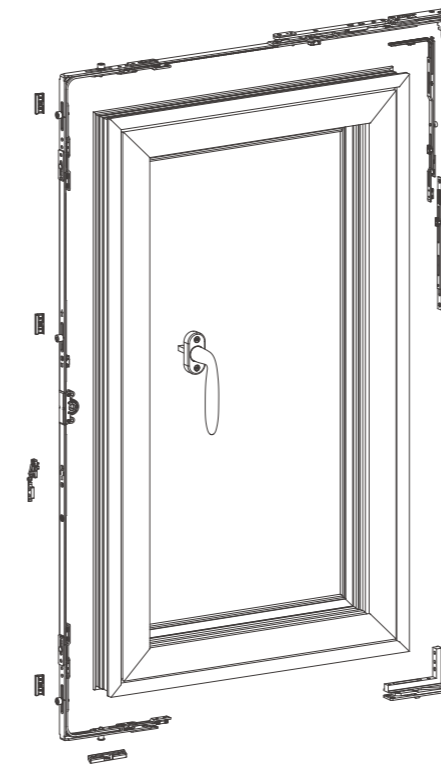
合页整体选用铝合金材料，外观精致

Screen window hinge
the whole hinge is made of aluminum alloy material,
and the appearance is exquisite



U groove concealed tilt and turn hardware system

U槽隐藏内平开下悬五金系统



PATENT : 201720818233.1

Features / 功能特点

- 五金槽口标准化设计, 可根据客户要求选择不同的五金配置; 系统可实现窗扇悬开功能, 满足用户微通风需求;
- 多点锁闭五金系统, 锁点压紧程度可调, 调整距离为 $\pm 1\text{mm}$, 布局合理;
- 有效满足窗户密封性能要求, 气密性可达8级, 水密性可达5级;
- 铰链三维可调便于窗户制作、安装、调节, 承重性能高; 最大承重80KG;
- 防误操作器可承受较高力矩, 有效防止人为误操作, 提高安全使用性能;
- 中心距7.5mm, 15mm可选。

- Standardized design of hardware notch, different hardware configuration can be selected according to customer requirements; The system can realize the window sash hanging function to meet the user's micro-ventilation needs;
- Multi-point locking hardware system, the locking degree of the locking point is adjustable, the adjustment distance is $\pm 1\text{mm}$, and the layout is reasonable
- Effectively meet the requirements of window sealing performance, the air tightness can reach grade 8, and the water tightness can reach grade 5;
- The three-dimensional adjustable hinge is convenient for window production, installation and adjustment, with high load-bearing performance; the maximum load-bearing capacity is 80KG
- The anti-misoperation device can withstand higher torque, effectively prevent human misoperation, and improve the safety performance.
- The center distance is 7.5mm, 15mm optional.



U-slot swing drive
robust and flexible

U槽平开传动器
坚固耐用，伸缩灵活

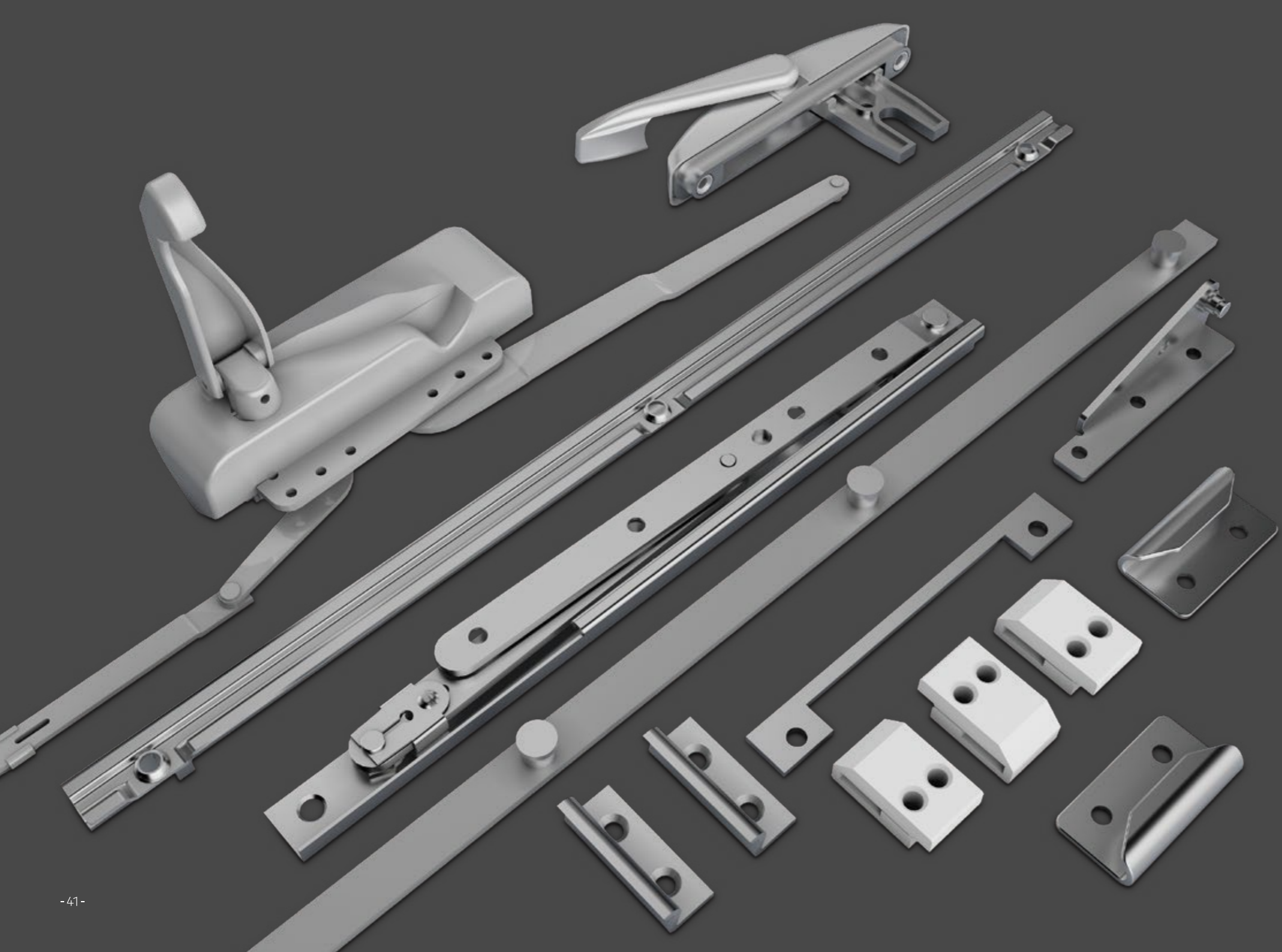
Transmission parts

传动部件

轻便 省力 顺畅

Light labor-saving smooth





American style casement window operator system

美式手摇窗五金系统

Features / 功能特点

- **开启简单**
通过一套具有蜗轮蜗杆结构的开窗器实现开启和关闭旋转摇把就可以实现开窗和关窗,手完全不用伸到窗外;
- **自锁定位**
蜗轮蜗杆结构所具有的自锁功能保证了窗扇在0~90°任何开启位置的锁止;
- **纱窗不干涉**
开关窗操作完全与纱窗不发生干涉,完美解决了外开窗和纱窗的配合问题;
- **窗扇清洗方便**
窗扇开启过程中向中间有一定距离的移动,保证手可伸到室外侧进行擦洗;
- **多点锁闭,保证安全**
窗扇关闭后,通过扳手进行锁紧,同时带动传动器实现多点锁闭,增强了密封性能和安全性能

· Easy to turn on

The window can be opened and closed through a set of window openers with a worm gear and worm structure to open and close the rotating handle, and the hand does not need to reach out of the window at all;

· Self-locking Bit

The self-locking function of the worm gear structure ensures that the window sash can be locked at any opening position from 0 to 90°;

· Screens do not interfere

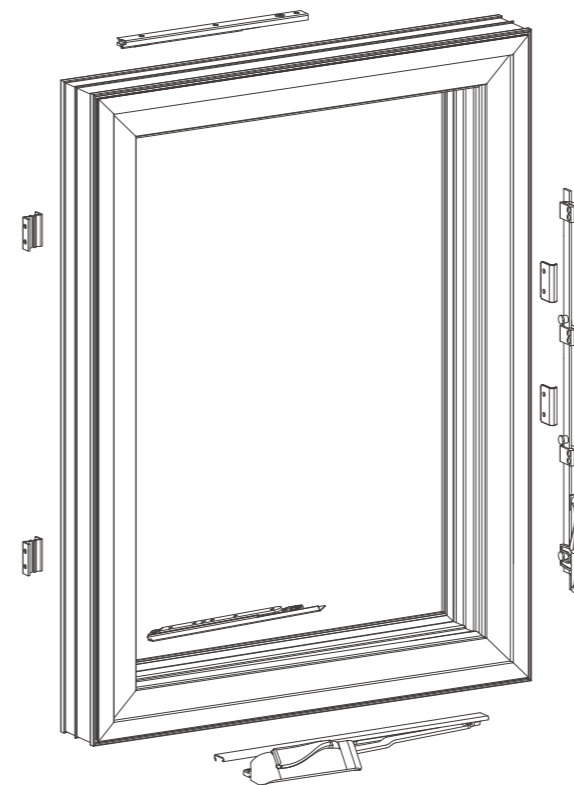
The operation of opening and closing the window completely does not interfere with the screen window, which perfectly solves the problem of cooperation between the outward opening window and the screen window;

· Easy to clean window sash

During the opening process of the window sash, there is a certain distance to the middle to ensure that the hand can reach the outside for scrubbing;

· Multi-point locking to ensure safety

After the window sash is closed, it is locked by a wrench, and at the same time, the drive is driven to achieve multi-point locking, which enhances the sealing performance and safety performance.



PATENT:201821671018.4

PARAMETER / 技术参数

适配型材
Adapter Profile

专用型材
Special profile

American style hand-operated window opener

美式手摇开窗器

高温烤漆，精钢压铸

组装方便，具有很强的装饰性、使用性

High temperature paint, stainless steel die casting
Easy to assemble, highly decorative and usable



美观大方
BEAUTIFUL



耐磨耐腐
WEAR-RESISTANT



组装方便
EASY TO ASSEMBLE



时尚典雅
STYLISH AND ELEGANT

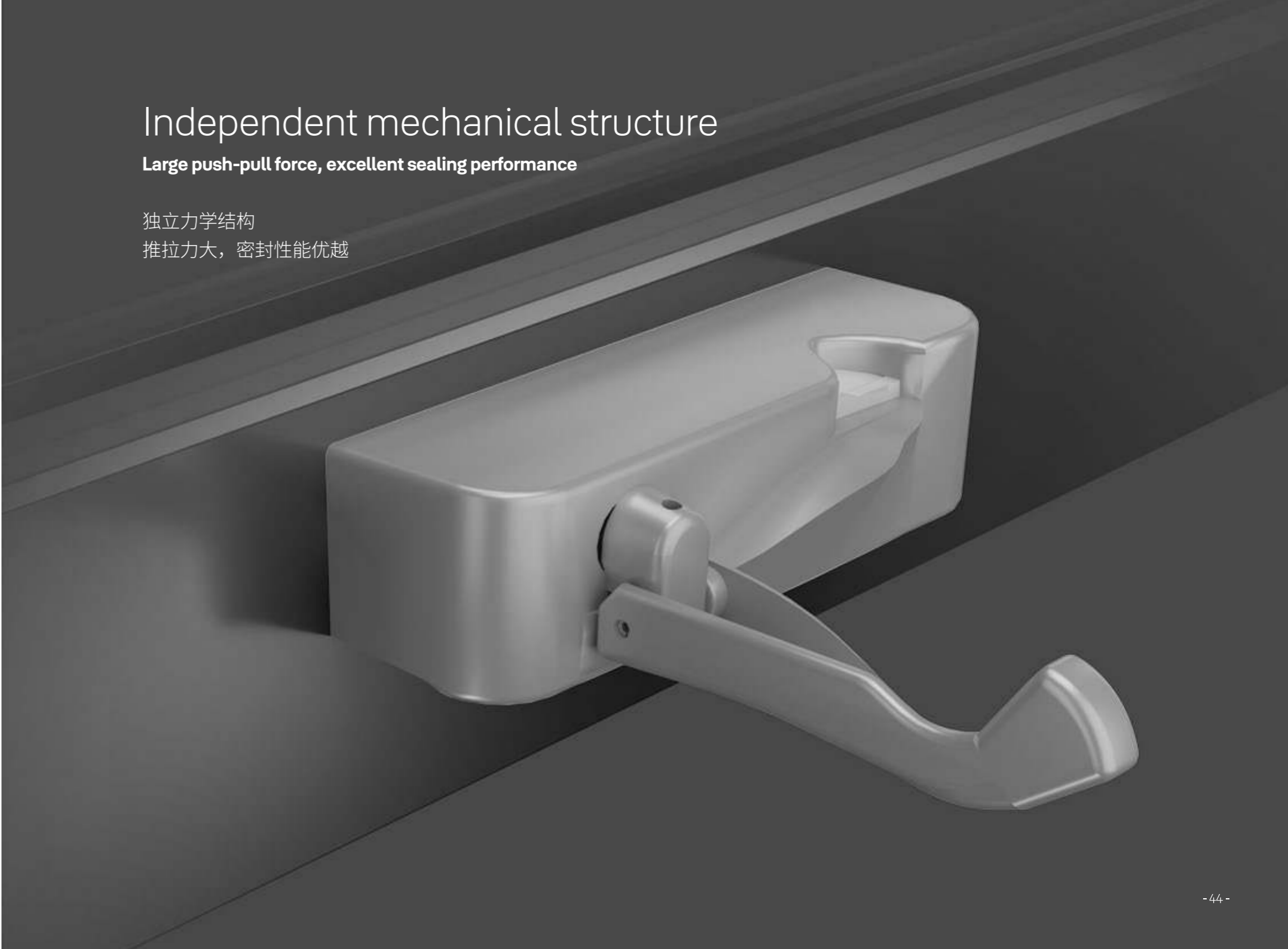


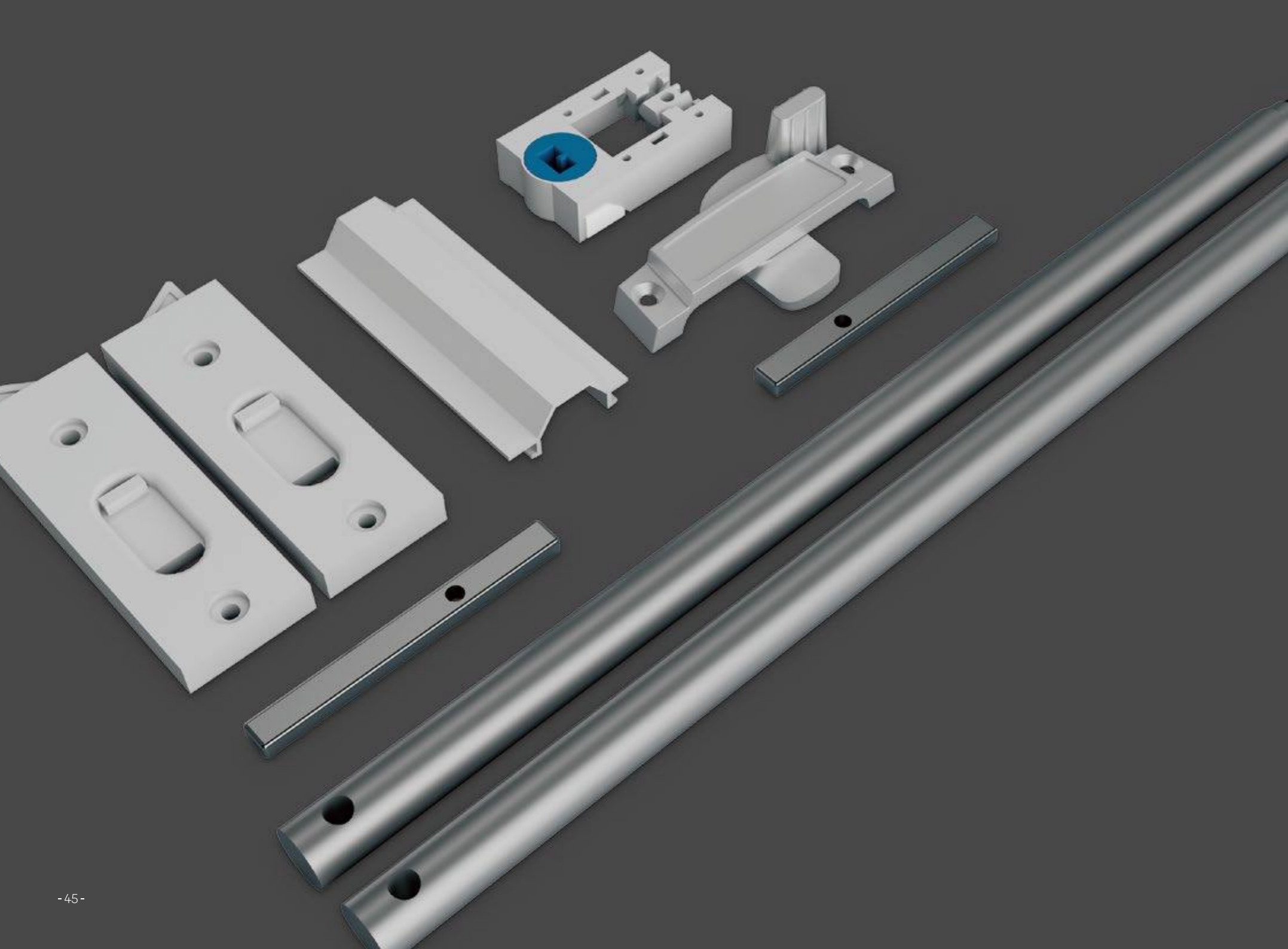
Independent mechanical structure

Large push-pull force, excellent sealing performance

独立力学结构

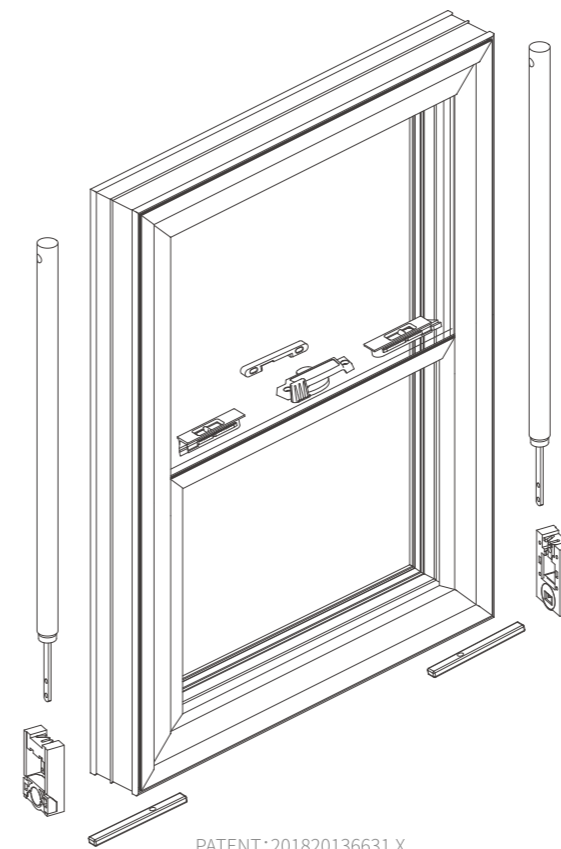
推拉力大，密封性能优越





American style vertical sliding window system

美式提拉窗五金系统



Features / 功能特点

- **美观大方**
五金件完全隐藏在型材空间内, 上下提拉的开启方式不占用室内空间;
- **丰富的产品系列和规格**
针对不同断面的型材, 有多种配套提拉窗五金系统, 满足客户的不同需求;
- **根据配置可选两种功能**
提拉窗、提拉翻转窗;
- **安装方便, 性能强劲**
弹簧采用优质弹簧钢, 具有弹性极限高、疲劳极限高、冲击韧性强, 反复启闭寿命4000次以上;
- **多点锁闭, 保证安全**
月牙锁, 有效锁闭, 提高使用安全性。

· Beautiful

The hardware is completely hidden in the profile space, and the opening method of lifting up and down does not occupy the indoor space;

· Rich product series and specifications

For profiles of different sections, there are a variety of supporting sliding window hardware systems to meet the different needs of customers;

· Two functions can be selected according to the configuration

Pull-up window, pull-up flip window;

· Easy installation and strong performance

The spring is made of high-quality spring steel, which has high elastic limit, high fatigue limit, strong impact toughness, and has a life of more than 4,000 times of repeated opening and closing;

· Multi-point locking to ensure safety

The crescent lock can effectively prevent foreign intrusion and improve the safety of use.

PARAMETER / 技术参数

适配型材 Adapter Profile	专用铝合金/塑钢提拉型材 Special aluminum alloy/plastic steel pulling profile
-------------------------	--

Auckland

奥克兰系列

Auckland 系列设计灵感源自帆船中的“风帆”，寓意一帆风顺。

在整体造型上，将风帆形态演化，采用曲面弧度设计，更加符合手部的人机工程学，能够满足用户对执手体验感的需求；

ASSA ABLOY 旗下的 Interlock 位于奥克兰，奥克兰是全世界拥有帆船数量最多的城市，故又被称为“风帆之都”。

The Auckland series is inspired by the "sail" in sailing ships, which means smooth sailing. In the overall shape, the sail shape is evolved, and the curved surface design is adopted, which is more in line with the ergonomics of the hand, and can meet the user's needs for the handle experience;

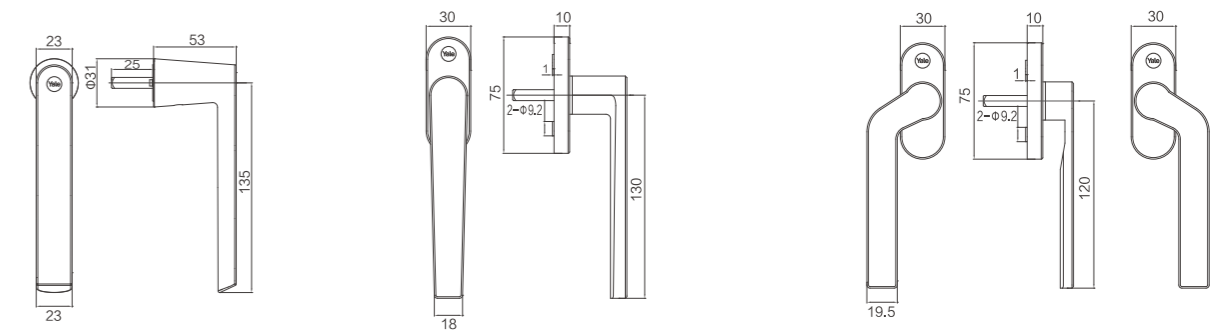
Interlock under ASSA ABLOY is located in Auckland. Auckland is the city with the largest number of sailboats in the world, so it is also known as the "capital of sails".

PATENT: 202130265224.6



Auckland style handle

奥克兰系列执手



Venice

威尼斯系列

Venice 系列设计灵感源自“水滴”，寓意永恒，水滴虽然不起眼，但只要源头不尽，它就可以永远滴下去，是永恒的象征，契合耶鲁的181年品牌传承和产品品质；

在使用上，其手柄采用水滴的圆润设计，握感饱满，符合手部的人机工程学，能够满足用户对执手体验感的需求；

ASSA ABLOY旗下的Valli&Valli同样位于意大利，威尼斯 (Venice) “因水而生，因水而美，因水而兴”的美誉，享有“水城”“水上都市”“百岛城”等美称，堪称世界上最浪漫的城市之一。

The Venice series design is inspired by "water drop", which means eternity. Although water drop is inconspicuous, as long as the source is endless, it can drip forever. It is a symbol of eternity, which is in line with Yale's 181 years of brand heritage and product quality;

In use, the handle adopts the rounded design of water droplets, which is full of grip, conforms to the ergonomics of the hand, and can meet the user's needs for the handle experience;

Valli&Valli, a subsidiary of ASSA ABLOY, is also located in Italy. Venice has the reputation of "born by water, beautiful by water, and prosperous by water", and enjoys the reputation of "water city", "water city" and "hundred island city". One of the most romantic cities in the world.

1000N
抗拉强度

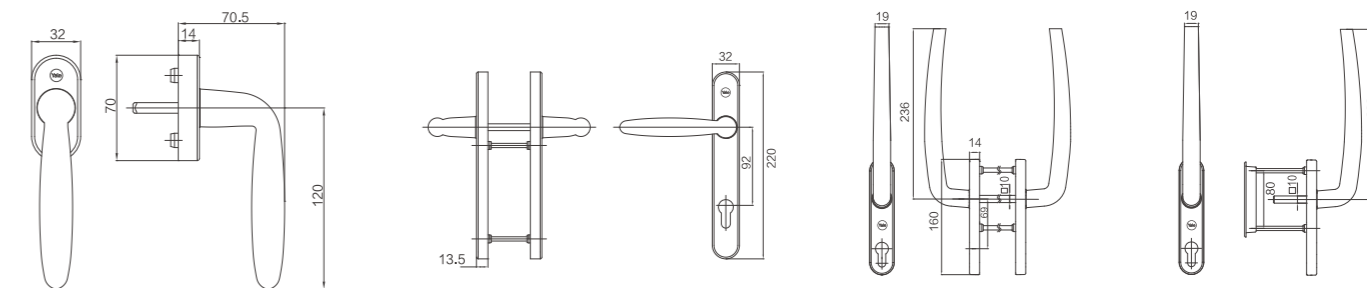
1000h
中性盐雾

120000次
反复启闭测试

PATENT: 202130267948.4



Venice style handle 威尼斯系列执手





PATENT:201320836456.2

亚萨合莱BioSecure技术

BioSecure抗菌涂层上的银离子可强力抑制包括大肠杆菌在内的多种细菌，可以帮助更好地防止交叉传染，为家人健康保驾护航。

The silver ions on the BioSecure antibacterial coating can strongly inhibit a variety of bacteria including Escherichia coli, which can help to better prevent cross-infection and escort the health of the family.



ASSA ABLOY Biosecure™ technology handle

亚萨合莱BioSecure技术执手

